

# Venus Wheelchair (Candy Apple)

Product Code: VNW05AA-FX

**leef.**

reverse how you feel

Customer Service | Solutions & Sales

1300 005 333 | [www.leef.com.au](http://www.leef.com.au) | [info@leef.com.au](mailto:info@leef.com.au)  
652 Glen Huntly Road, Caulfield South, Victoria 3162



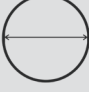
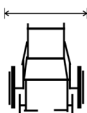

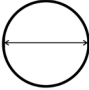





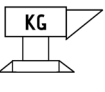
## Features:

- ▶ "One Touch" Attendant Brake
- ▶ Armrest Side Panel For Safety
- ▶ Length Adjustable Footrest
- ▶ Flame Retardant Nylon
- ▶ Bacteria Resistant Upholstery
- ▶ Includes Handy Carry Pocket

## ARTG Listing no.

- ▶ 227311



Length (cm)	 100	Backrest Height (cm)	 42	Front Wheel Diameter (cm)	 20/8"
Width (cm)	 63.5	Seat Depth (cm)	 40	Rear Wheel Diameter (cm)	 30/12"
Height (cm)	 96	Seat Width (cm)	 46	Max Load (kg)	 100
Folded Width (cm)	 30	Seat Height from the Ground (cm)	 51	Net Weight (kg)	 12.5